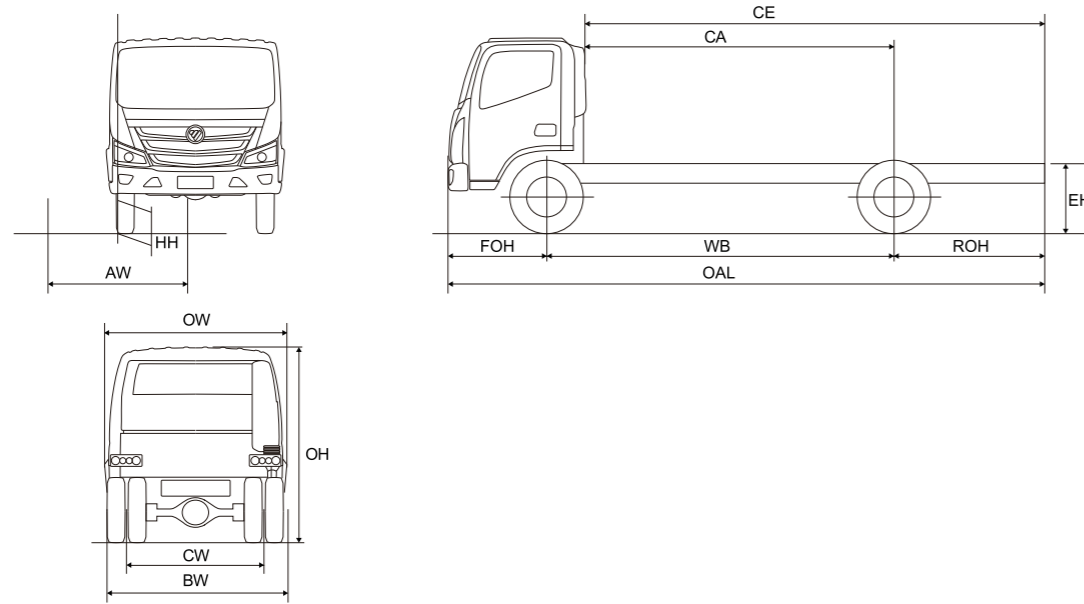
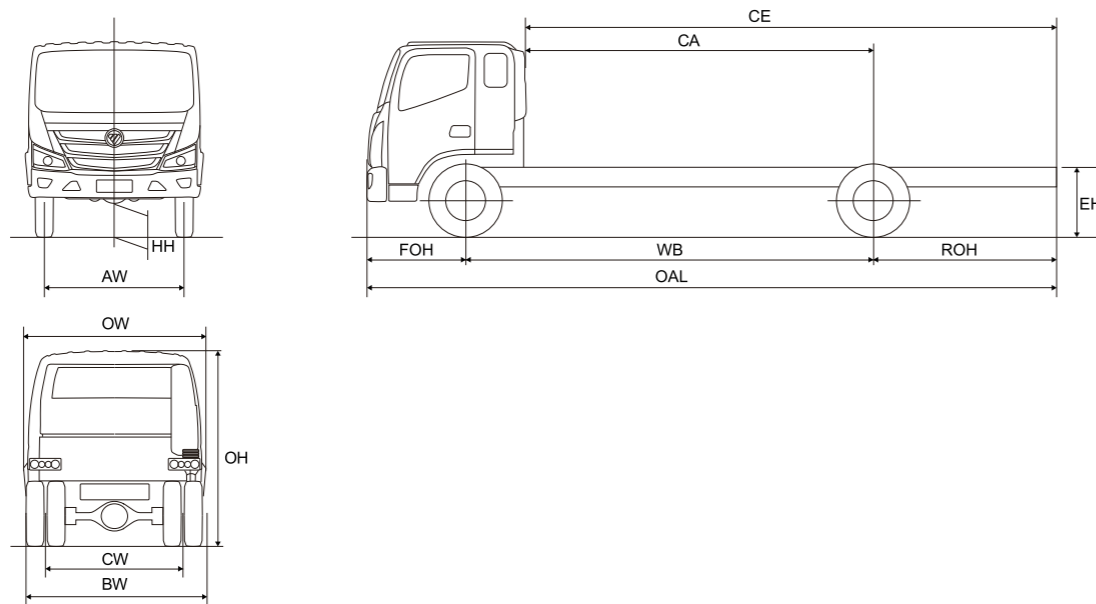


MASS & DIMENSION

Single cab



Space cab



GVW (Kg)	Model	WB	OAL	OW	OH	AW	BW	CW	FOH	ROH	CA	CE	HH	EH
6000	BJ1065VDJD4-F	2800	5400	1925	2260	1590	1925	1485	1110	1490	2265	3755	190	708
	BJ1065VDJD6-F	3360	5960	1925	2260	1590	1925	1485	1110	1490	2825	4315	190	708
7000	BJ1068VDJDA-F	3360	5960	2135	2260	1730	2090	1615	1110	1490	2825	4315	190	708
8500	BJ1088VFJEA-F	3360	5950	2135	2260	1730	2090	1615	1110	1490	2825	4315	225	750
	BJ1088VEJEA-F	3800	6920	2135	2260	1730	2090	1615	1110	2010	3225	5235	225	750
12000	BJ1128VKJED-F	4200	7440	2310	2470	1792	2305	1800	1225	2015	3438	5453	227	983
	BJ1128VKPEK-F	5200	8940	2310	2470	1792	2305	1800	1225	2515	4380	6895	227	983

• MORE BODY APPLICATIONS



Powered by
& Cummins engine
ZF transmission



EUROPEAN R & D
EUROPEAN TECHNOLOGY
EUROPEAN TEST
GLOBAL TRUST

EUROPE → WORLD



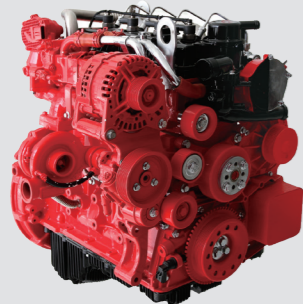
**EUROPEAN STANDARD
LOGISTIC EXPERT**

AUMARK S

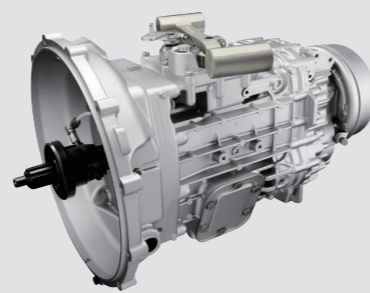
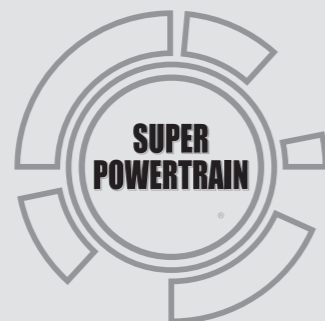
AUMARK S SPECIFICATION

GVW (Kg)		6000		7000	8500		12000				
Curb weight (kg)		2155	2215	2555	2854	2910	3550	3880			
Whole vehicle main dimensions											
Overall dimensions (LxWxH) mm		5400 × 1925 × 2260		5960 × 1925 × 2260	5960 × 2275 × 2220		5950 × 2135 × 2292	6920 × 2136 × 2265	7440 × 2310 × 2470	8940 × 2310 × 2470	
Chassis length mm		3755		4315	4315		4315	5235	5453	6895	
Internal length of cargo box mm		3600		4170	4170		4170	5140	5600	6750	
Cabin Type		1880 Single cab			2060 Single cab				2060 Space cab		
Wheel base (mm)		2800		3360		3800		4200		5200	
Persons in cab (persons, 65kg)		3									
Power											
Engine	Model	ISF2.8s3148T			ISF3.8s3154		ISF3.8S3168				
	Fuel type	Diesel									
	Displacement(L)	2.78			3.76						
	Max. Power(Hp/rpm)	150/3200			156/2600		170/2600				
	Max. Torque(N · m/rpm)	360/1800-2700			500/1200-1900		600/1300-1700				
	Technology type	Electronic control high-pressure common rail									
Transmission	Exhaust emission standard	Euro III									
	Manufacturer	Cummins									
	Model	5S368			6S500		6S600				
	Technology type (Manul/Auto)	5MT			6MT						
	Torque	360			500		600				
	Speed ratio	I :5.762 II :2.922 III :1.638 IV :1.000 V :0.782 R:5.149			I :6.198 II :3.287 III :2.025 IV :1.371 V :1.000 VI :0.780 R:5.681						
Clutch	Manufacturer	ZF									
	Max. speed (km/h)	Monolithic dry diaphragm spring ϕ 308 × ϕ 190			≤ 120		Monolithic dry diaphragm spring ϕ 362 × ϕ 195				
EBP									●		
Cruise									●		
Electrical power supply	12V	●									
	24V								●		
Chassis											
Axle	Front	Type	Non-Disconnecting I-beam								
		Tonnage	2.4T		2.5T		2.85t		3.6T		
	Rear	Type	Stamping and welding Integral type						Entirely lute type		
Suspension system		Tonnage (T)	4.5		6		8		8		
		Speed ratio	4.875		4.3		4.875				
	Front	Type	Non-independent suspension with spring						9		
Steering system		Spring	3			8+6					
	Rear	Type	Non-independent suspension with spring								
Oil supply system		Spring	5+2								
	Steering system	Power Steering	Round ball						●		
Tyre		Fuel tank material	Aluminum alloy								
		Fuel tank volume (L)	80		120		160		160 200		
Brake system		Type	7.00R16		7.00R16		7.50R16		7.50R16 8.25R20		
		Number	6+1		6+1		6+1		6+1		
		Brake type	Hydraulic			Air			Air		
		Front	Disc			Disc			Disc		
		Rear	Drum			Drum			Drum		
		Parking brake	Central drum brake			Air-cut brake					
Exhaust brake									●		
Gap self-adjusting mechanism									●		
Safety Device		ABS		EBD		●		●			
Body and Interior											
Seats	Fabric seat		●								
	Driver seat front and rear adjustable (manual)		●								
	Driver seat backrest adjustable (manual)		●								
Windows	Space bed		x								
	Door	Manual	●								
Rear-view mirror		Manual						●			
Lock		Mechanical lock						●			
Safety											
Safety belts	Three-point seat belts (driver's seat)		●								
	Driver seat belt alarm		●								
	Three-point seat belt (passenger seat)		●								
	Central seats 2-point seat belts		●								
Comfort											
Air-condition		Warm and cold (= warm air + air conditioning) manual						●			
Media equipment		MP3: FM / AM radio, USB / AUX						●			

POWERFUL & SMOOTH



ISF2.8/3.8 engine



5S368/6S500

